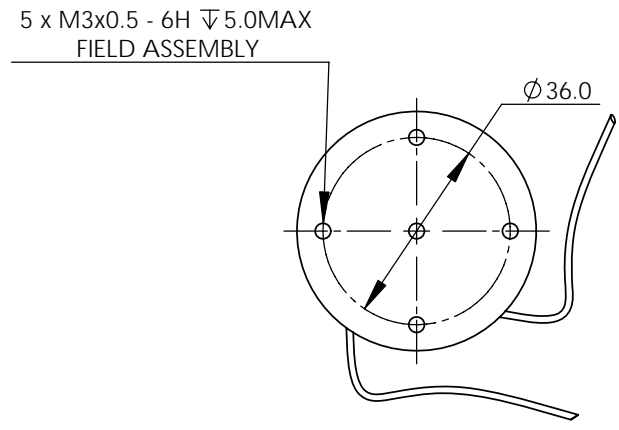
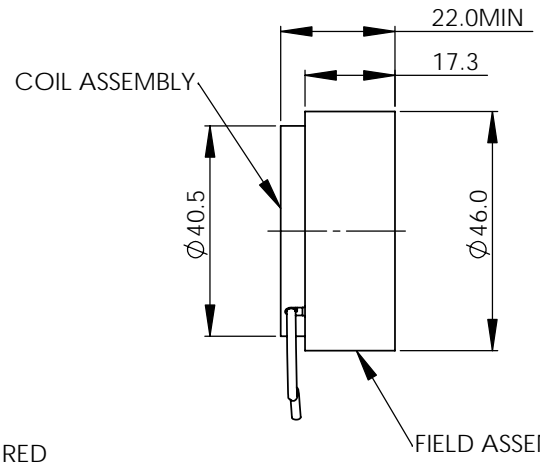
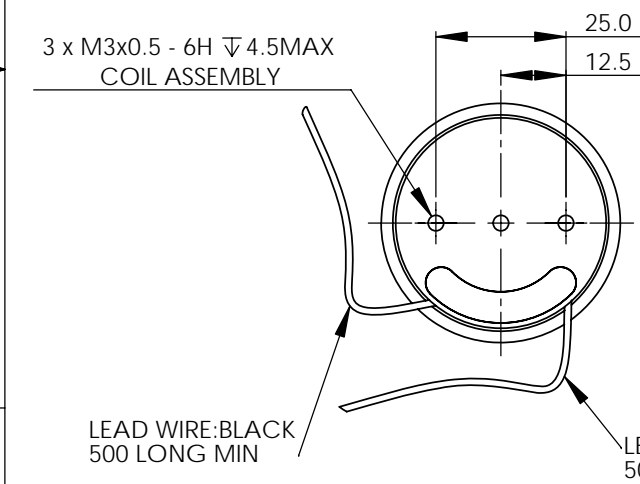
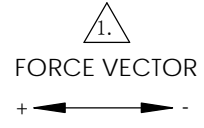
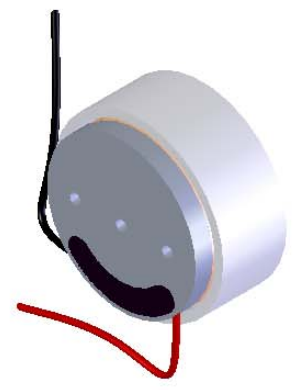


WINDING CONSTANT	TOL	SYM	VALUE	UNITS
DC RESISTANCE	± 10%	R	2.6	OHMS
VOLTAGE @ Fp	NOMINAL	Vp	14.3	VOLTS
CURRENT @ Fp	NOMINAL	Ip	5.5	AMPS
FORCE SENSITIVITY	± 7.5%	Kf	8.0	N / A
BACK EMF CONSTANT	NOMINAL	Kb	8.0	V/M/Sec
INDUCTANCE*****	± 30%	L	0.95	mH
ACTUATOR PARAMETER		SYM	VALUE	UNITS
PEAK FORCE *		Fp	44.1	N
CONTINUOUS FORCE **		Fc	17.7	N
CONTINUOUS FORCE WITH HEAT SINK		Fc	41.3	N
ACTUATOR CONSTANT		Ka	4.96	N/√w
ELECT TIME CONSTANT		Te	0.37	milli-sec
POWER I ² R@Fp		Pp	79	w
TOTAL STROKE		S	5.9	mm
CLEARANCE ON SIDE OF COIL		CL	0.5	mm
THERMAL RESISTANCE ***		Θth	9.8	C / W
THERMAL RESISTANCE WITH HEAT SINK****		Θth	1.8	C / W
MAX WINDING TEMP		Tmax	150	C
WEIGHT OF COIL ASSEMBLY		WTc	43	g
WEIGHT OF FIELD ASSEMBLY		WTF	173	g
WEIGHT OF ACTUATOR		WTA	216	g

* 10 sec @ 25C ambient, 150C coil temp.
 ** 25C ambient, 150C coil temp.
 *** In free air.
 **** Measured with 250x250x10mm heat sink.
 ***** Measured with BK PRECISION 875B.

REV	ECO NO.	DESCRIPTION	DRN	APP'D	Q.A	DATE
X1	---	INITIAL RELEASE	BWZ	WYG	LBO	07-04-26
X2	100070	UPDATE DATA SHEET TO REFLECT TEST RESULT	BWZ	WYG	LBO	07-08-06



2.INSULATION RESISTANCE:100 MEGOHMS MINIMUM AT 500 VDC.

▲A POSITIVE(+)VOLTAGE APPLIED TO THE RED LEAD WILL PRODUCE A FORCE ON THE COIL ASSEMBLY IN POSITIVE (+) DIRECTION.

NOTES:UNLESS OTHERWISE SPECIFIED

PROPRIETARY AND CONFIDENTIAL
 THE INFORMATION CONTAINED IN THIS DRAWING IS THE SOLE PROPERTY OF USAS MOTION - SUZHOU, CHINA. ANY REPRODUCTION IN PART OR AS A WHOLE WITHOUT THE WRITTEN PERMISSION OF USAS MOTION - SUZHOU, CHINA IS PROHIBITED.

UNLESS OTHERWISE SPECIFIED:		NAME	DATE
DRAWN	BWZ	07-04-26	
CHECKED			
ENG APPR.	WYG	07-04-26	
MFG APPR.			
Q.A.	LBO	07-04-26	

usas motion Suzhou, China

TITLE:
LINEAR ACTUATOR

SIZE **B** DWG. NO. VLR0044-0059-00A REV X2

SCALE: 1: 1 SHEET 1 OF 1

INTERPRET GEOMETRIC TOLERANCING PER:
 ANSI Y14.5M-1982.

DO NOT SCALE DRAWING